

# Underground Comet Spotlight



**68UC-P03-WQ5**

Underground Comet Spotlight

Sleek and stylish, that is U-Tron's Underground Comet spot light. It has a very focussed beam that is excellent for underground application. This underground comet can be used to light up monuments, pillars and even in temples.



## Product Technical Data

### General Informaion

Socket Type	Hardwire
Life Span	50000hr

### Product Dimensions

Circular Diameter	84mm
Lamp Height	87mm

### Light Characteristics

Efficacy	65lm/W
Beam Angle	40/45 D
CCT	2700K
Flux	221m
	80

### Color Rending Index

### Ordering Information

Product Number	68UC-P03-WQ5
Product Name	Underground Comet
Product Ordering Name	Underground Comet 221 lm 3.4W

### Electrical Characteristics

Wattage	3.4W
Voltage	220VAC

Pieces Per Pack	1
Packs Per Carton	50
Net Weight Per Piece	350 Grams

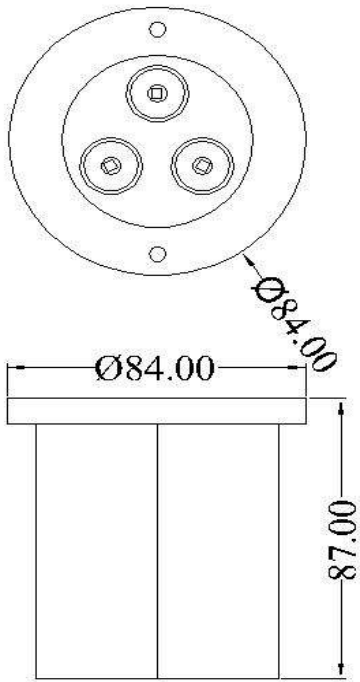
### Temperature

Operating Temp.	-30(min), 65(max)C
Storage	-40(min), 65(max)C

[www.u-tron.com](http://www.u-tron.com)



Technical Drawing



©2013 U-Tron (Beijing) Electronics Co., LTD  
All rights reserved  
Specifications are subject to change without notice

15-Mar-13  
data subject to change

